

# Immersion Pumps PR4

## sealless

1-6011-US

***Compact, lightweight centrifugal pump of plastic for clean, turbid or dirty fluids***

### Technical data

- Delivery rate  
 $Q_{\max} = 30 \text{ l/min}$
- Delivery head  
 $H_{\max} = 4 \text{ m}$
- Temperature range  
 $0 \text{ °C to } +60 \text{ °C}$

### Product features

- Centrifugal pump, 1-stage model
- Open impeller
- Installation dimensions to DIN EN 12157
- Immersion depths 90 mm, 120 mm
- Weight: 2.5 kg
- Three-phase or single-phase motor



**Main applications**

- Humidifiers, air conditioning
- Sawing machines
- Stone saws
- Grinding machines
- Cooling systems
- Machine tools
- etc.

**Fluids delivered**

- Emulsions, also with chemical additives
- Low-viscosity oils
- Various qualities of water
- etc.

**Mechanical design**

Component	PR4 type of machine	PR4/A901 type of system
Motor housing	aluminum	aluminum
Pump support	PPN	PPN
Pump bottom	PPN	PPN
Impeller	POM/GF	POM/GF
Shaft	ETG	Stainless steel, W.-No. 1.4122
Antifriction bearings	Radial deep-groove ball bearing with two side plates (2 Z); with permanent lubrication	Radial deep-groove ball bearing with two side plates (2 Z); with permanent lubrication
Splash guard	Splash ring above pump chamber	Splash ring above pump chamber Plus: splash ring underneath flange, V-ring underneath lower ball bearing

**Electrical data**

Rated frequency [Hz]	Rated voltage Δ / Y [V]	Rated current Δ / Y [A]	Rated power [kW]	Rated speed [rpm]
50	230 / 400	0.33 / 0.19	0.05	2730
60	230 / 400	0.33 / 0.19	0.05	3300

Degree of protection: IP 54      Motor: DU 56.2005  
 Insulation class: F/B          Noise level: 46 dB(A)  
 CE mark

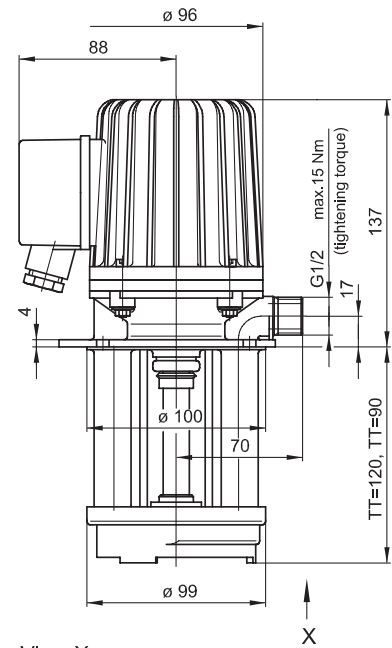
**Please note: All equipment may only be installed and/or assembled by qualified personnel. Observe existing safety regulations. To avoid errors please consult our operating instructions.**

**Design features**

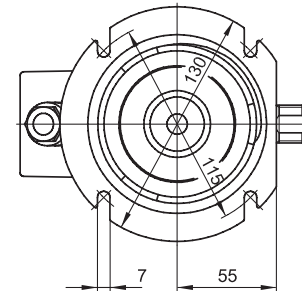
- Vertical Installation
- G 1/2 male thread
- Direction of rotation: counterclockwise as viewed from above looking down on ventilation side of the motor.

**Options**

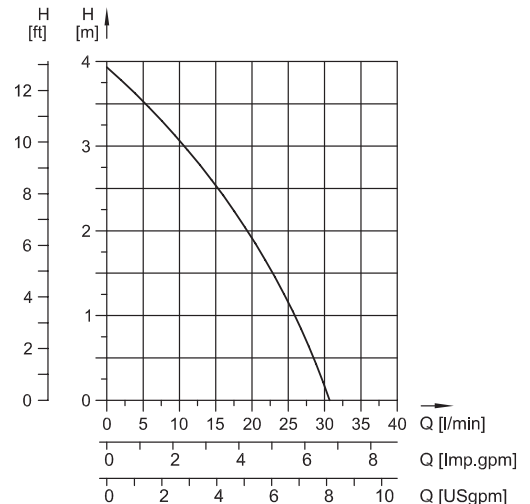
- Extension tube up to 50 mm (if immersion depth deviates from standard)
- Thermal circuit breaker in the winding or thermistor
- Equipped with capacitor and mains plug, completely prepared for single-phase AC



View X



**Characteristic for 50 and 60 Hz**



The data apply to fluids with a viscosity of 1 mm<sup>2</sup>/s at a density of 1 kg/dm<sup>3</sup>